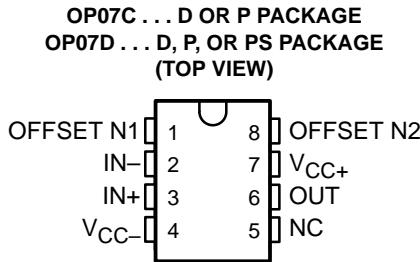


- **Low Noise**
- **No External Components Required**
- **Replace Chopper Amplifiers at a Lower Cost**
- **Wide Input-Voltage Range**  
... 0 to  $\pm 14$  V Typ
- **Wide Supply-Voltage Range**  
...  $\pm 3$  V to  $\pm 18$  V
- **Essentially Equivalent to Fairchild  $\mu$ A714 Operational Amplifiers**
- **Direct Replacements for PMI OP07C and OP07D**



NC—No internal connection

## description

These devices offer low offset and long-term stability by means of a low-noise, chopperless, bipolar-input-transistor amplifier circuit. For most applications, external components are not required for offset nulling and frequency compensation. The true differential input, with a wide input-voltage range and outstanding common-mode rejection, provides maximum flexibility and performance in high-noise environments and in noninverting applications. Low bias currents and extremely high input impedances are maintained over the entire temperature range. The OP07 is unsurpassed for low-noise, high-accuracy amplification of very-low-level signals.

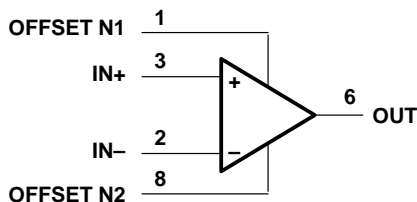
These devices are characterized for operation from 0°C to 70°C.

### AVAILABLE OPTIONS

T <sub>A</sub>	V <sub>IO</sub> MAX AT 25°C	PACKAGE	
		SMALL OUTLINE (D, PS)	PLASTIC DIP (P)
0°C to 70°C	150 $\mu$ V	OP07CD	OP07CP
		OP07DD OP07DPS	OP07DP

The D package is available taped and reeled. Add the suffix R to the device type (e.g., OP07CDR). The PS package is available only taped and reeled.

## symbol

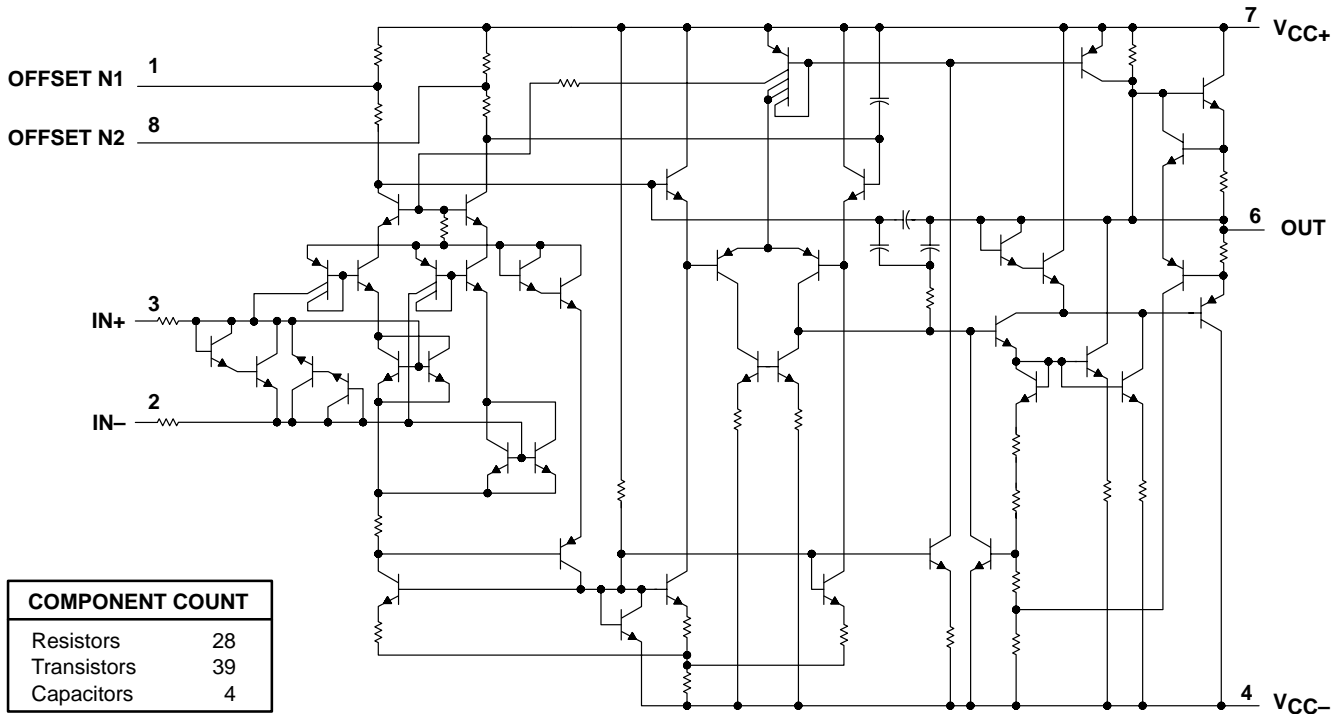


Please be aware that an important notice concerning availability, standard warranty, and use in critical applications of Texas Instruments semiconductor products and disclaimers thereto appears at the end of this data sheet.

# OP07C, OP07D PRECISION OPERATIONAL AMPLIFIERS

SLOS099D – OCTOBER 1983 – REVISED FEBRUARY 2002

## schematic



## absolute maximum ratings over operating free-air temperature range (unless otherwise noted)†

Supply voltage: $V_{CC+}$ (see Note 1)	22 V
$V_{CC-}$ (see Note 1)	-22 V
Differential input voltage (see Note 2)	$\pm 30$ V
Input voltage, $V_I$ (either input, see Note 3)	$\pm 22$ V
Duration of output short circuit (see Note 4)	Unlimited
Package thermal impedance, $\theta_{JA}$ (see Note 5): D package	97°C/W
P package	85°C/W
PS package	95°C/W
Lead temperature 1,6 mm (1/16 inch) from case for 10 seconds	260°C
Storage temperature range, $T_{stg}$	-65°C to 150°C

† Stresses beyond those listed under “absolute maximum ratings” may cause permanent damage to the device. These are stress ratings only, and functional operation of the device at these or any other conditions beyond those indicated under “recommended operating conditions” is not implied. Exposure to absolute-maximum-rated conditions for extended periods may affect device reliability.

- NOTES: 1. All voltage values, unless otherwise noted, are with respect to the midpoint between  $V_{CC+}$  and  $V_{CC-}$ .
2. Differential voltages are at  $IN+$  with respect to  $IN-$ .
3. The magnitude of the input voltage must never exceed the magnitude of the supply voltage or 15 V, whichever is less.
4. The output may be shorted to ground or either power supply.
5. The package thermal impedance is calculated in accordance with JESD 51-7.

## recommended operating conditions

		MIN	MAX	UNIT
$V_{CC\pm}$	Supply voltage	$\pm 3$	$\pm 18$	V
$V_{IC}$	Common-mode input voltage	$V_{CC\pm} = \pm 15$ V		V
$T_A$	Operating free-air temperature	0	70	°C



POST OFFICE BOX 655303 • DALLAS, TEXAS 75265

**electrical characteristics at specified free-air temperature,  $V_{CC\pm} = \pm 15$  V (unless otherwise noted)**

PARAMETER	TEST CONDITIONS†	T <sub>A</sub>	OP07C			OP07D			UNIT
			MIN	TYP	MAX	MIN	TYP	MAX	
V <sub>IO</sub> Input offset voltage	V <sub>O</sub> = 0, R <sub>S</sub> = 50 Ω	25°C		60	150		60	150	μV
		0°C to 70°C		85	250		85	250	
α <sub>VIO</sub> Temperature coefficient of input offset voltage	V <sub>O</sub> = 0, R <sub>S</sub> = 50 Ω	0°C to 70°C		0.5	1.8		0.7	2.5	μV/°C
Long-term drift of input offset voltage	See Note 6			0.4			0.5		μV/mo
Offset adjustment range	R <sub>S</sub> = 20 kΩ, See Figure 1	25°C		±4			±4		mV
I <sub>IO</sub> Input offset current		25°C		0.8	6		0.8	6	nA
		0°C to 70°C		1.6	8		1.6	8	
α <sub>IIO</sub> Temperature coefficient of input offset current		0°C to 70°C		12	50		12	50	pA/°C
I <sub>IB</sub> Input bias current		25°C		±1.8	±7		±2	±12	nA
		0°C to 70°C		±2.2	±9		±3	±14	
α <sub>IIB</sub> Temperature coefficient of input bias current		0°C to 70°C		18	50		18	50	pA/°C
V <sub>ICR</sub> Common-mode input voltage range		25°C		±13	±14		±13	±14	V
		0°C to 70°C		±13	±13.5		±13	±13.5	
V <sub>OM</sub> Peak output voltage	R <sub>L</sub> ≥ 10 kΩ	25°C		±12	±13		±12	±13	V
	R <sub>L</sub> ≥ 2 kΩ			±11.5	±12.8		±11.5	±12.8	
	R <sub>L</sub> ≥ 1 kΩ				±12			±12	
	R <sub>L</sub> ≥ 2 kΩ		0°C to 70°C		±11	±12.6		±11	
A <sub>VD</sub> Large-signal differential voltage amplification	V <sub>CC±</sub> = ±3 V, V <sub>O</sub> = ±0.5 V, R <sub>L</sub> ≥ 500 kΩ	25°C		100	400		400		V/mV
	V <sub>O</sub> = ±10 V, R <sub>L</sub> = 2 kΩ	25°C		120	400		120	400	
		0°C to 70°C		100	400		100	400	
B <sub>1</sub> Unity-gain bandwidth		25°C		0.4	0.6		0.4	0.6	MHz
r <sub>i</sub> Input resistance		25°C		8	33		7	31	MΩ
CMRR Common-mode rejection ratio	V <sub>IC</sub> = ±13 V, R <sub>S</sub> = 50 Ω	25°C		100	120		94	110	dB
		0°C to 70°C		97	120		94	106	
k <sub>SVS</sub> Supply-voltage sensitivity (ΔV <sub>IO</sub> /ΔV <sub>CC</sub> )	V <sub>CC±</sub> = ±3 V to ±18 V, R <sub>S</sub> = 50 Ω	25°C		7	32		7	32	μV/V
		0°C to 70°C		10	51		10	51	
P <sub>D</sub> Power dissipation	V <sub>O</sub> = 0, No load	25°C		80	150		80	150	mW
	V <sub>CC±</sub> = ±3 V, V <sub>O</sub> = 0, No load			4	8		4	8	

† All characteristics are measured under open-loop conditions with zero common-mode input voltage, unless otherwise noted.

NOTE 6: Since long-term drift cannot be measured on the individual devices prior to shipment, this specification is not intended to be a warranty. It is an engineering estimate of the averaged trend line of drift versus time over extended periods after the first thirty days of operation.

# OP07C, OP07D PRECISION OPERATIONAL AMPLIFIERS

SLOS099D – OCTOBER 1983 – REVISED FEBRUARY 2002

operating characteristics,  $V_{CC\pm} = \pm 15\text{ V}$ ,  $T_A = 25^\circ\text{C}$

PARAMETER	TEST CONDITIONS†	OP07C	OP07D	UNIT
		TYP	TYP	
$V_n$ Equivalent input noise voltage	$f = 10\text{ Hz}$	10.5	10.5	$\text{nV}/\sqrt{\text{Hz}}$
	$f = 100\text{ Hz}$	10.2	10.3	
	$f = 1\text{ kHz}$	9.8	9.8	
$V_{N(PP)}$ Peak-to-peak equivalent input noise voltage	$f = 0.1\text{ Hz to }10\text{ Hz}$	0.38	0.38	$\mu\text{V}$
$I_n$ Equivalent input noise current	$f = 10\text{ Hz}$	0.35	0.35	$\text{pA}/\sqrt{\text{Hz}}$
	$f = 100\text{ Hz}$	0.15	0.15	
	$f = 1\text{ kHz}$	0.13	0.13	
$I_{N(PP)}$ Peak-to-peak equivalent input noise current	$f = 0.1\text{ Hz to }10\text{ Hz}$	15	15	$\text{pA}$
SR      Slew rate	$R_L \geq 2\text{ k}\Omega$	0.3	0.3	$\text{V}/\mu\text{s}$

† All characteristics are measured under open-loop conditions with zero common-mode input voltage, unless otherwise noted.

## APPLICATION INFORMATION

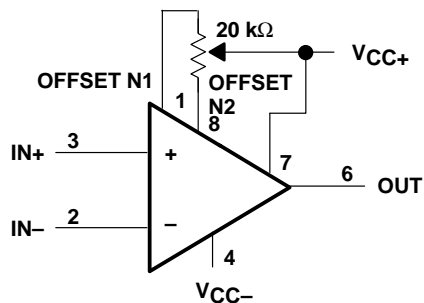


Figure 1. Input Offset-Voltage Null Circuit

## IMPORTANT NOTICE

Texas Instruments Incorporated and its subsidiaries (TI) reserve the right to make corrections, modifications, enhancements, improvements, and other changes to its products and services at any time and to discontinue any product or service without notice. Customers should obtain the latest relevant information before placing orders and should verify that such information is current and complete. All products are sold subject to TI's terms and conditions of sale supplied at the time of order acknowledgment.

TI warrants performance of its hardware products to the specifications applicable at the time of sale in accordance with TI's standard warranty. Testing and other quality control techniques are used to the extent TI deems necessary to support this warranty. Except where mandated by government requirements, testing of all parameters of each product is not necessarily performed.

TI assumes no liability for applications assistance or customer product design. Customers are responsible for their products and applications using TI components. To minimize the risks associated with customer products and applications, customers should provide adequate design and operating safeguards.

TI does not warrant or represent that any license, either express or implied, is granted under any TI patent right, copyright, mask work right, or other TI intellectual property right relating to any combination, machine, or process in which TI products or services are used. Information published by TI regarding third-party products or services does not constitute a license from TI to use such products or services or a warranty or endorsement thereof. Use of such information may require a license from a third party under the patents or other intellectual property of the third party, or a license from TI under the patents or other intellectual property of TI.

Reproduction of information in TI data books or data sheets is permissible only if reproduction is without alteration and is accompanied by all associated warranties, conditions, limitations, and notices. Reproduction of this information with alteration is an unfair and deceptive business practice. TI is not responsible or liable for such altered documentation.

Resale of TI products or services with statements different from or beyond the parameters stated by TI for that product or service voids all express and any implied warranties for the associated TI product or service and is an unfair and deceptive business practice. TI is not responsible or liable for any such statements.

### Mailing Address:

Texas Instruments  
Post Office Box 655303  
Dallas, Texas 75265